

Notice

According to the regulations of the people's Republic of China on radio administration, any unit or individual that sets up or uses radio transmitting equipment within the territory of the people's Republic of China must go to the corresponding radio administration organization to apply for the procedure of setting up a radio station and obtain a radio station license before it can be used.

To the user:

Thank you very much for choosing our company's LTE4G Android walkie talkie. This walkie talkie has novel design, reasonable process structure, powerful function and stable performance

It is designed to meet the needs of users for professional walkie talkie with convenient operation and excellent performance.

In order to make you fully understand the performance of the machine, please read this manual carefully before use.

Applicable model of this manual: Mintech-Y15

Product inspection

Welcome to use ours radio. Before you use it, I suggest you:

- Please check the packing box of this product for any damage;
- Please open the box carefully to confirm whether there are the items listed in the table below; If you find that this product and its accessories are lost or damaged during transportation, please contact the dealer immediately.

Item	QTY
Belt clamp	1
Lanyard	1
Power Adapter	1
Manual	1

User usage and security information

- In order to use the radio safely and efficiently, please read the following information.
- Please turn off the radio before entering the flammable and explosive environment.
- Do not replace or charge the battery in flammable and explosive environment.
- Please turn off the intercom before approaching the blasting area and the area where the detonator is located.
- Please do not use the radio with damaged antenna. The damaged antenna may cause slight burns if it contacts the skin.
- The maintenance of the radio can only be carried out by professional technicians. Do not disassemble the radio by yourself.
- In order to avoid the problems caused by electromagnetic and / or electromagnetic compatibility, please turn off the radio when the sign "please turn off the walkie talkie" is pasted, such as hospitals and other health care places. When the flight crew asks to turn off the radio, please turn off the radio.
- Please do not place the radio in the area that may be involved in airbag deployment in the vehicle with airbag.
- Do not expose the radio to direct sunlight or near the heating device for a long time.
- When the portable radio is transmitting, keep the radio in a vertical position and speak close to the microphone.
- If you wear a portable radio on your body, please make sure that the antenna is at least 2.5cm away from your body when the radio is transmitting.

User usage and security information

Before using and operating this radio, please read and observe the following precautions to avoid dangerous or illegal situations and ensure the best performance of the radio. Tip: the operating system only supports official upgrade. If the user swipes the unofficial system by himself, the user will be responsible for the security risks and losses (the possible risks include: the user's information is stolen, sending SMS automatically, locating your location, etc.)

Safety instructions

- ◆ Before using the walkie talkie, please read the information in this section and let your child know about it.
- ◆ Please do not hit, throw or stab the walkie talkie, and avoid dropping, squeezing or bending the walkie talkie.
- ◆ Please do not use the walkie talkie in wet environment such as bathroom, and avoid the walkie talkie being soaked or washed by liquid.
- ◆ In places where the use of walkie talkie is prohibited, or when the use of walkie talkie will cause interference or danger, please turn off the walkie talkie.
- ◆ Don't use the walkie talkie when driving the car, so as not to hinder the safe driving.
- ◆ In medical places, please abide by relevant regulations. In the area near the medical equipment, please turn off the intercom.
- ◆ Please turn off the walkie talkie when boarding to avoid the wireless signal interfering with the aircraft control signal.
- ◆ Close the walkie talkie when using high-precision electronic equipment, otherwise it may cause electronic equipment failure.

- ◆ Please do not disassemble the walkie talkie and its accessories without authorization. Only authorized organizations can repair the walkie talkie.
- ◆ Please do not place the walkie talkie and accessories in magnetic equipment with strong magnetic field.
- ◆ Please keep the walkie talkie away from the magnetic equipment. The radiation of the walkie talkie will erase the information stored on the magnetic equipment.
- ◆ Don't use walkie talkie in high temperature and flammable gas places (such as near gas station).
- ◆ Please keep the walkie talkie and accessories out of the reach of children. Do not let children use the walkie talkie without supervision.
- Please use the battery and charger specified by our company, otherwise it may cause explosion.
- When using this walkie talkie, please abide by relevant laws and regulations, and respect the privacy and legitimate rights of others.
- When using USB data cable, please strictly follow the relevant instructions in this manual, otherwise your walkie talkie or personal computer may be damaged.

Medical equipment

- In medical and health care places where wireless devices are prohibited, please follow the rules of the place and turn off the devices.

- The radio waves generated by the device may affect the normal operation of implantable medical devices or personal medical devices, such as pacemakers, cochlear implants, hearing aids, etc. If you use these medical devices, please consult their manufacturers about the restrictions on the use of this device.

Hearing protection

When you use headphones to listen to music or call, it is recommended to use the minimum volume setting for music or call to avoid hearing loss.

Flammable and explosive area

- Please do not use the equipment at the gas station (maintenance station) or near inflammables or chemical agents, and follow all graphical or written instructions. The equipment may cause explosion or fire in or around the fuel oil or chemical storage and transportation area or explosive place.
- Do not store or transport the equipment and its accessories or flammable liquids, gases or explosives in the same box.

Traffic safety

- Do not hold the device while driving, and comply with the relevant regulations of the region or country.
- Please do not place the equipment above the airbag or in the area that can be touched after airbag deployment. Otherwise, when the air bag inflates, the equipment will be pushed by a strong external force, causing serious injury to the people in the car.

● wireless equipment may interfere with the flight system of the aircraft. Please comply with the relevant regulations of the airline. In places where the use of wireless equipment is prohibited, please turn off the equipment.

Operating environment

- Do not charge or use the equipment in dusty, wet, dirty or close to the magnetic field, so as not to cause internal circuit failure.
- Do not use the equipment in thunderstorm weather to avoid lightning or other injuries.
- Please turn off the wireless device in the place where it is forbidden to use.
- When the equipment is powered by power adapter, please keep the ambient temperature within the above temperature range. Do not use it outside the above temperature range. When the ambient temperature is too high or too low, it may cause failure.

Children's health

.This equipment and its accessories may contain some small parts. Please keep them out of the reach of children. Children may unintentionally damage the device and its accessories, or swallow small parts, causing suffocation or other hazards.

Environmental protection

Please comply with local regulations on the disposal of equipment, batteries and their accessories and support recycling actions. Do not treat the equipment, batteries and accessories as ordinary domestic waste.

Original accessories

Only use the original accessories provided by the equipment manufacturer. If you use any non original accessories, it may affect the performance of the equipment, violate the warranty terms of the equipment and the relevant provisions of the state on communication terminal products, and even cause personal harm.

Use batteries and chargers

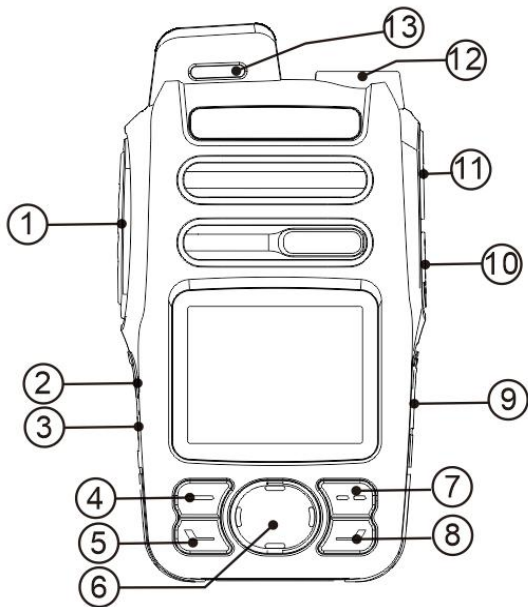
- When charging is finished or not, please disconnect the link with the device and unplug the charger from the power socket.
- Do not connect the metal conductor with the two poles of the battery, or touch the end point of the battery, so as to avoid short circuit of the circuit, burn and other injuries caused by overheating of the battery.
- Do not place batteries or equipment around heating equipment, such as microwave oven, oven or radiator. Overheating of the battery may cause explosion.
- Please do not disassemble or refit the battery to avoid liquid leakage, overheating, fire or burst.
- If the battery leaks liquid, please do not let the skin or eyes contact the leaked liquid; If it gets on the skin or eyes, please rinse with water immediately and go to the hospital for medical treatment.
- If the battery has abnormal phenomena such as discoloration, deformation and heating during use, charging or storage, please stop using and replace it with a new one.
- If the power cord of the charger has been damaged, please do not continue to use it to avoid electric shock or fire.
- Do not throw the battery into the fire, otherwise it will cause the battery to catch fire and burst.

Maintenance

- Please keep the equipment and accessories dry. Do not use external heating equipment such as microwave oven to dry it.
- Please do not use the equipment and its accessories to suffer strong impact or vibration, so as not to damage the equipment and its accessories, or cause the battery to burn or explode.
- Please do not place the equipment and its accessories in the area with too high or too low temperature, otherwise it may cause equipment, battery and charger failure, fire or explosion. When the temperature is lower than 0 °C, the performance of the battery will be limited.
- Please do not put sharp metal objects such as pins near the earpiece. The magnetism of the earpiece will absorb these objects, which may cause injury when you use the equipment.
- Please do not use strong chemicals, cleaning agents or detergents or strong detergents to clean the equipment or its accessories. Please turn off the charger and disconnect the charger from the device before cleaning and maintenance.
- Please do not disassemble the equipment and accessories without authorization, otherwise the equipment and accessories will not be covered by our warranty.
- if the equipment collides with hard objects or the screen is broken due to strong impact from outside, please do not touch or try to remove the broken part. Please stop using immediately and contact the designated maintenance point in time.

Emergency call

In case of emergency, if the device is on and in the service area, the device can be used for emergency call. Since it is not guaranteed that the network can be connected in all cases, please do not use this device as the only contact method in case of emergency.



About Device

About Device

No.	Name	Instructions
1	PTT	Press control voice and release to end the speech. When others speak, pressing is invalid
2	Side Key 1	Short press to increase volume, long press is invalid
3	Side Key 2	Short press volume down, long press invalid
4	Menu/OK	Enter the menu / function selection / confirmation function
5	Dial Key	Enter dialer / make a call
6	Direction Key	Short press for system up and down left and right direction keys, long press for ZELLO app channel switching

7	Return Key	App quick start / return key
8	Power Key	Long press power on / off / hang up / wake up and stop screen
9	SIM-Card Slot	Please use SIM of micro SIM type
10	Function Key	Short press flashlight / long press SOS (ZELLO enterprise function)
11	Headphone hole	Special interface with PTT button, microphone and loudspeaker
12	Flashlight	1W LED
13	indicator light	Charging indicator / network status indicator

Troubleshooting Guide

Fault	May caused reasons
Failure on power on	<ol style="list-style-type: none"><li data-bbox="412 275 908 291">1. The battery pack may be exhausted, please charge it in time.<li data-bbox="412 319 1005 334">2. If the battery pack is damaged, please contact the agent or manufacturer.
Network registration failed. Network not found	<ol style="list-style-type: none"><li data-bbox="412 379 714 394">1. Check whether the SIM is inserted<li data-bbox="412 422 960 438">2. Check the signal and confirm that the machine is in the service area<li data-bbox="412 466 689 481">3. Please check if SIM is in arrears<li data-bbox="412 509 799 525">4. Please check whether the app account is valid
Unable to use PTT call	<ol style="list-style-type: none"><li data-bbox="412 560 897 576">1. Check whether to enter the intercom channel and connect.<li data-bbox="412 603 820 619">2. Check whether it is in the voice possession state.<li data-bbox="412 647 721 663">3. View the local connection network.

Caution

If the above method has not solved your problem, or you encounter some other problems, please contact your local dealer.

Preparation

Charging lithium batteries

The battery is not charged at the factory, please charge it before use.

Charging the battery for the first time after purchase or long-term storage (more than two months) can not make the battery reach its normal capacity. After repeated charging and discharging for two or three times, the capacity will increase to the normal state.

Warning



- ◇ If the battery has been fully charged, do not charge again. Otherwise, the battery life will be shortened or damaged.
- ◇ After recharging the battery, remove it from the battery charger. Charging the battery for more than 5 days will shorten the life of the battery due to overcharging.

Notice:

- ◆ The ambient temperature during charging should be $0^{\circ}\text{C}\sim 45^{\circ}\text{C}$. When charging beyond this range, the battery will not be fully charged.
- ◆ When charging, please turn off the walkie talkie with lithium-ion battery. When charging the battery inside the walkie talkie, it will hinder the correct charging of the battery.
- ◆ When the service time does not increase even after the correct charging, the life of the battery is up, please update the battery.

Preparation

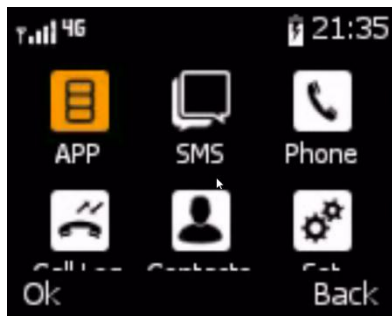
Plug the plug of the AC power adapter into the type-C connector located at the bottom of the device.

Plug the AC power adapter into the AC power output socket.

- ◆ Confirm whether there is charging prompt on the screen when the power is off or on

- ◆ When the indicator light is on, charging starts.

User Interface



Main Interface

Menu::Press Menu to enter Menu Function

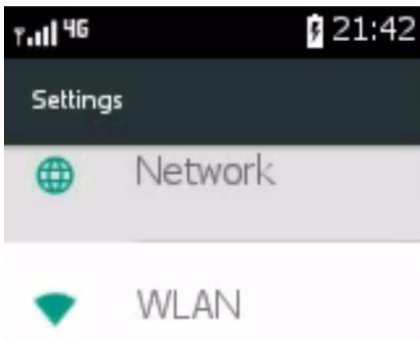
POC: Use "return key" to quick-start POC APP

System Function

Use "direction key" of keyboard to select type, press

"menu" to enter

Use the "return" key of the keyboard to return to the last interface,



System Setting

Select "set" in system function to enter system setting



Typewriting

Press "OK" in the input field to start the input method



Press the direction key to confirm input.



Digital input and special symbol switching



English case switch

Safety

- Please use the walkie talkie correctly. When making or answering a call, hold the walkie talkie in the way of using a wired phone, then speak directly to the microphone, and ensure that the walkie talkie is kept at a proper distance from the body.
- Please put the walkie talkie in a place that is hard for children to reach, so as to avoid personal injury caused by children using it as a toy.

Caution When driving

When driving, please follow the relevant traffic regulations and pay attention to traffic safety.

Medical Equipment

- When using walkie talkie beside some medical equipment such as cardiac pacemaker, attention should be paid: keep the distance between the walkie talkie and these medical equipment at least 20cm; Don't put the walkie talkie in your chest pocket; The ears on different sides of the pacemaker should be used to listen to the phone to reduce potential interference; Turn off the intercom if necessary. If you have any other questions, please consult the medical equipment manufacturer before use. Some digital walkie talkies may interfere with some hearing aids. If such interference occurs, please contact the hearing aid manufacturer for solutions.
- If you have other personal medical equipment (such as cochlear implant, etc.), please consult the manufacturer of these equipment to ensure that these equipment can shield the surrounding RF signal.

- In places with special requirements such as hospitals or rest homes, please pay attention to the restrictions on the use of walkie talkies. If required, please turn off the radio.

About Radio

- You can only use the original accessories or the accessories approved by the manufacturer. The use of any unauthorized accessories may affect the performance of the walkie talkie, violate the warranty terms of the walkie talkie and the relevant provisions of the state on communication terminal products, and even cause personal harm.
- When cleaning the walkie talkie, please turn it off first and use a damp and clean antistatic cloth. When cleaning the surface of walkie talkie, pay attention not to use chemical agents such as cleaning agent.
- Your walkie talkie will generate electromagnetic field. Please do not place it in magnetic storage medium accessories, such as computer disk, etc.
- The use of walkie talkie near electrical equipment such as TV, telephone, radio and personal computer may cause interference.
- Please don't expose your walkie talkie to strong sunlight to avoid damage due to excessive heat.
- Please do not store the walkie talkie near or inside the water heater, microwave oven, hot cooking equipment or high-pressure container to avoid damage.
- Do not store or use the walkie talkie in high temperature environment or environment that can produce high temperature. .

- Please do not connect with other non matching equipment.
- Please do not disassemble the walkie talkie.

Please do not put inflammable and explosive materials together with walkie talkie to avoid danger.

Location and area of explosion

- Before entering the area that may cause explosion due to potential factors (such as oil warehouse, chemical plant, etc.) with explosive production process

If the walkie talkie is not specially designed for this area, please turn off the walkie talkie first

- In such areas, please do not take out or install batteries, and do not charge walkie talkies, because in these environments, sparks may cause explosion or fire, causing personal injury.

Safety

- In order to avoid interfering with the blasting operation, please observe the relevant regulations near the electric detonator in the explosion area and where there are signs such as closing the walkie talkie.

- The air bag, brake, speed control system and fuel injection system shall not be affected by wireless transmission. If you encounter the above problems, please contact the car dealer. But please be careful not to put the walkie talkie above the airbag or in the area that can be reached after the airbag is deployed.
- Please turn off your walkie talkie when refueling. The same applies to places where two-way wireless equipment is prohibited.

Battery Usage

- Please do not short circuit the battery to avoid damaging the battery, generating heat and causing fire.
- It is forbidden to put the battery under high temperature or throw it into fire to avoid explosion.
- Do not stab the battery surface with sharp objects.
- If you do not use the battery for a period of time, please discharge it and store it in a dry, dark and cool place. When the battery and charger have been damaged or obviously aged, please stop using them.
- Please return the used batteries to the supplier or put them in the designated recycling point instead of in the household garbage.
- If the battery is damaged, avoid contacting the substances in it. If the battery is contaminated with skin, rinse it with plenty of water. If necessary, ask a doctor for help

Safety

Precautions for using charger

- In order to improve charging efficiency and ensure charging safety, please use 110 ~ 220 V AC.
- Do not short circuit the charger, otherwise it will cause electric shock, smoke and damage to the charger.
- Please do not use the charger when the power cord is damaged, otherwise it may cause fire and electric shock.
- Please clean the dust on the power socket in time.
- Please don't put the water container beside the charger to avoid overheating, leakage and failure caused by water splashing.
- Please do not disassemble or refit the charger, otherwise it will cause personal injury, electric shock, fire and damage to the charger.

Warning



If the battery is damaged, avoid contact with the substances inside. If it is contaminated with skin, rinse it with plenty of water. If necessary, ask a doctor for help.

Disclaimers

- The company will not bear any responsibility for the losses caused by natural disasters (such as earthquake, flood, etc.) beyond our responsibility.
- In any case, for any loss (including the loss caused by using according to the manual), such as loss of profit, loss of reputation, business interruption, or loss / change of stored data of the company, as well as any special loss caused by it. The company shall not be liable for any accidental, joint or indirect losses.
- The company shall not be responsible for any loss caused by improper use of communication hardware or software not designated by the company.
- The company does not provide any form of guarantee and technical support for the information, data, documents or other products and services obtained through the use of the product, and does not assume any responsibility for the user's use of such information, data, documents or other products and services.
- This product is not recommended for users to install any third-party software. For the third-party software used through this product, our company does not assume any form of warranty and technical support responsibility.
- The contents of this manual are provided according to the "status quo". Unless otherwise specified by applicable laws,

the company makes no warranty of any kind, express or implied, regarding the accuracy, reliability or content of this document.

Disclaimers

The maximum SAR of this product is 0.251w/kg, which meets the requirements of national standard GB 2188-2007.

Parts Name	Toxic and harmful substances or elements					
	Lead (Pb)	mercury (Hg)	cadmium (Cd)	Cadmium hexavalent (Cr6+)	(Cr6+)	Polybrominated diphenyl ethers (PBDE)
Machine shell and antenna	0	0	0	0	0	0
Single line Circuit module	X	0	0	0	0	0
LCD Screen	0	0	0	0	0	0
Camera Set	0	0	0	0	0	0

Optican Lens						
Electroacoustic devices	0	0	0	0	0	0
Vibrating motor						
Charger	0	0	0	0	0	0
Earpiece	0	0	0	0	0	0
AC Adapter	0	0	0	0	0	0
Battery	X	0	0	0	0	0
Label	0	0	0	0	0	0
Other Parts	0	0	0	0	0	0